



REQUEST FOR PROPOSALS

FOR THE REPLACEMENT OF VISITOR INFORMATION WELCOME & INTERPRETIVE SIGNAGE

To be considered, tenders are to be submitted to the Hay River Town office at 100-62 Woodland Drive, on the tender forms provided, in a sealed envelope marked with the **Bidder's Name/Replacement of VIC information welcome & interpretive signage**, before 3:00 p.m. local time on Friday, September 15th, 2017.

For further information please contact:

Town Hall Reception
Town of Hay River
100 - 62 Woodland Drive
Hay River, NT
X0E 1G1

Phone: (867) 874-6522
Fax: (867) 874-3237
Email: Reception@hayriver.com

This invitational tender is subject to The Town of Hay River's purchasing by-law 1574.

Town of Hay River NT Invitation to Tender

Visitor Information Centre Welcome & Interpretive Signage

INSTRUCTIONS TO SUPPLIERS

Quote on supply only of new information sign to be supplies to the Visitor Information Centre before October 31st, 2017

Exact requirements are to design & construct a Welcome & Interpretive information sign that will hold 8 metal panels, that can be changed out at ease when need be.

Unit will be subject to inspection before acceptance by the Town of Hay River.

Award will be made on the best value offered as determined by the Town of Hay River. The Town of Hay River reserves the right to reject any or all bids, waive any informality in bids and accept in whole or in part such bid or bids as may be deemed in the best interest of the Town of Hay River.

All bids must be received by 3:00 PM, September 15th, 2017 at the Town Office at 100 - 62 Woodland Drive Hay River, NT. X0E 1G1. All bids must be on these forms complete with original signature(s). Fax and email bids will be accepted.

This invitational tender is subject to The Town of Hay Rivers purchasing by-law 1574.

STATE

Bidder's Name: _____

Bidder's Address: _____

Telephone Number: _____

Fax Number: _____

Email Address: _____

Attention: _____

GENERAL

1. Upon award of the contract, the Contractor shall submit shop drawings showing all materials, layouts, sizes, finishes, anchorage's, connections, and miscellaneous detail for each sign type. Structural drawings to be approved by an engineer.
2. Upon award of the contract, the Contractor shall submit required sample (300mm x 300mm) of each finish as specified and of each colour, large enough to be used for comparison during production and representing extreme variation in colour and texture of finished work surface. Applied graphics shall be on actual substrate.
3. Model numbers, ratings, performance characteristics, maintenance instructions, and other pertinent data, shall be clearly marked and identified on submittals. Information appertaining to several grades or sizes of one classification of product, or to several components of a specific product, shall be bound together and clearly identified. Where printed materials describe more than one product or model, clearly identify which is to be furnished.

SITE INSPECTION & SITE CONDITIONS

Before submitting a Tender, Tenderers have the responsibility to conduct their own inspection of the site of the Work, and shall fully inform themselves as to the existing site conditions and limitations to determine all factors relating to the place of Work that may affect the performance of the Work, conditions such as weather and availability of labour, the ground, the character, quality, and quantity of the materials to be encountered, the character of the equipment and facilities needed preliminary to and during the execution of the Work, the general and local conditions, and any and all matters which are necessary for the full and proper completion of the Work and the conditions under which it will be performed.

By submitting a Tender, a Tenderer will be deemed to have undertaken any such inspection required, and will be deemed to confirm that with respect to such matters it is in no way relying on any information or representation from the Owner, or any representative of the Owner. Any failure to fully investigate the sites of the Work or the foregoing conditions shall not relieve the Tenderer from his responsibility for estimating properly the difficulty or cost of successfully performing the Work. Neither the Owner, nor any of his representatives or agents, assumes any responsibility for the accuracy of site information indicated in the Tender Documents and Tenderers must evaluate such information relative to the actual conditions at the place of the Work.



TENDER PRICE AND ACCEPTANCE

OWNER: _____
The Municipal Corporation of the Town of Hay River
100 - 62 Woodland Drive
Hay River, NT
X0E 1G1

CONTRACTOR: _____
Name _____
Address _____

ITEM DESCRIPTION

Design and construction of Welcome & Interpretive information sign at the Visitor Information Centre

\$ _____

Goods and Services Tax

\$ _____

GST Number _____

Expected start date of this work: _____

ACCEPTED ON BEHALF OF
THE TOWN OF HAY RIVER

ACCEPTED ON BEHALF OF
THE CONTRACTOR

Signature of Official

Signature of Official

Witness

Witness



THE REVERSE SIDE TO READ *Welcome to Hay River with Logo*
 FONT STYLE HELVETICA MEDIUM 95MM HIGH

FONT STYLE AVANT GRADE MEDIUM 125MM HIGH

100MM WIDE PAINTED STRIP
 ONTO RAISED BORDER

38 x 140 LAMINATE CEDAR

SAND CARVED SIGN DOUBLE
 SIDED LETTERS & LOGO

102 x 102 H.S.S. STEEL FRAME
 2- 140 x 140 POSTS
 DETAIL 1 / A03

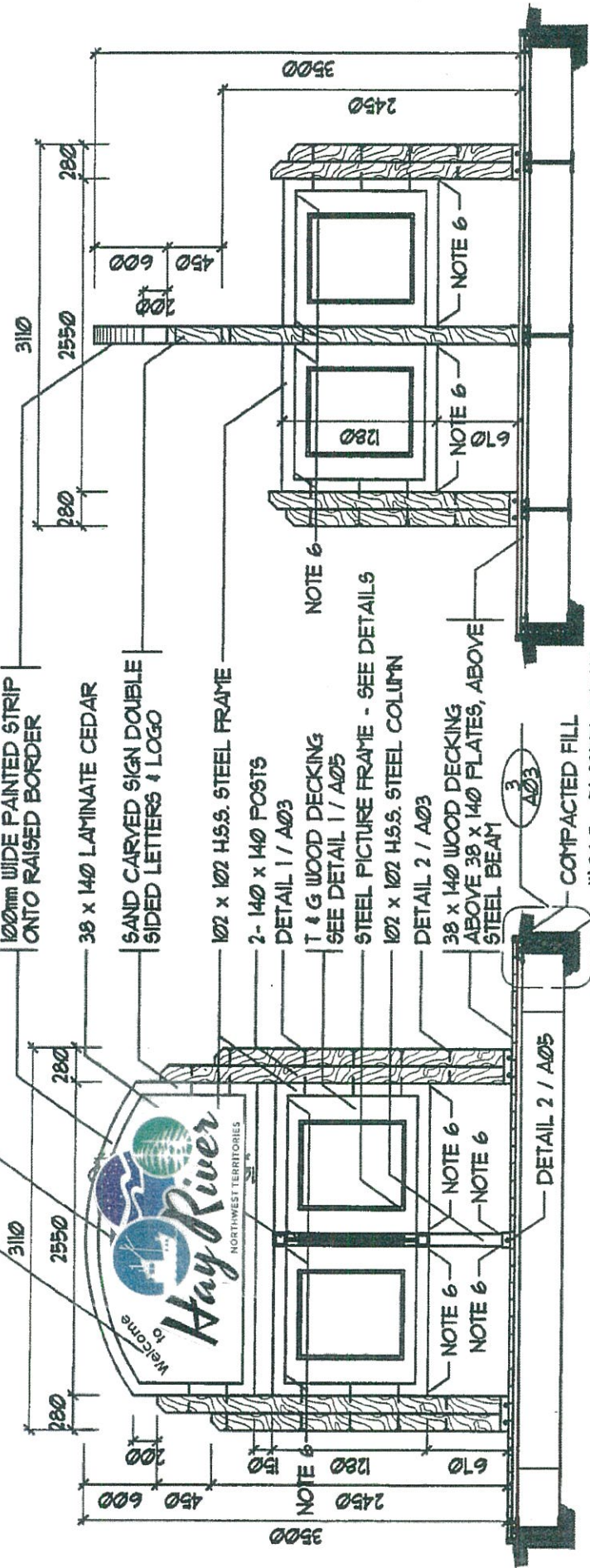
T & G WOOD DECKING
 SEE DETAIL 1 / A05

STEEL PICTURE FRAME - SEE DETAILS

102 x 102 H.S.S. STEEL COLUMN
 DETAIL 2 / A03

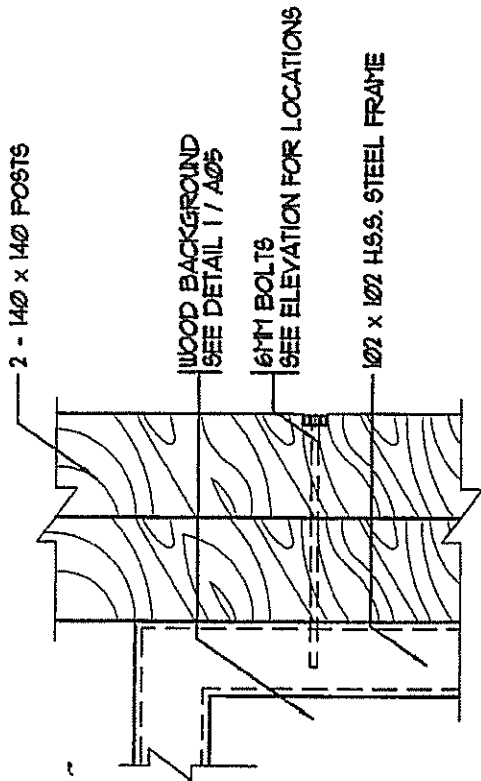
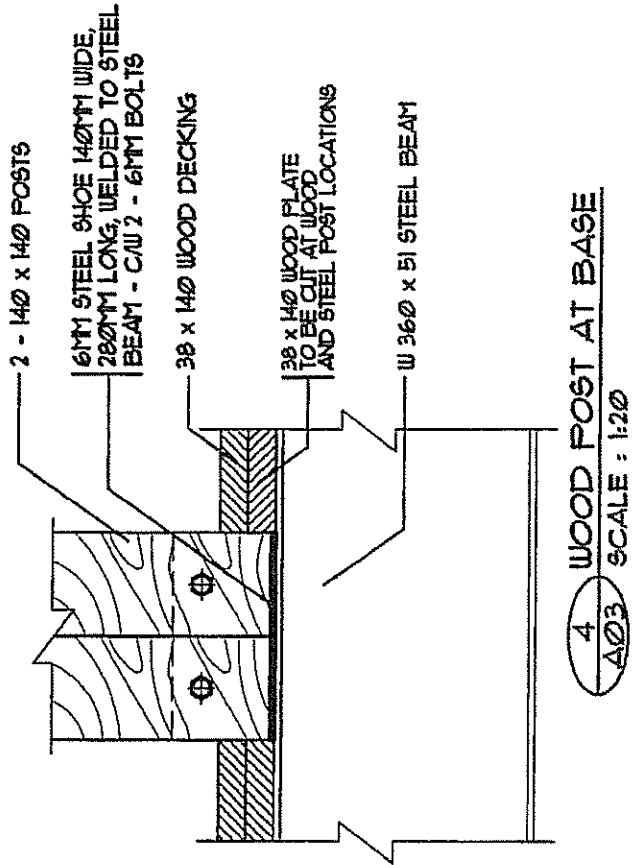
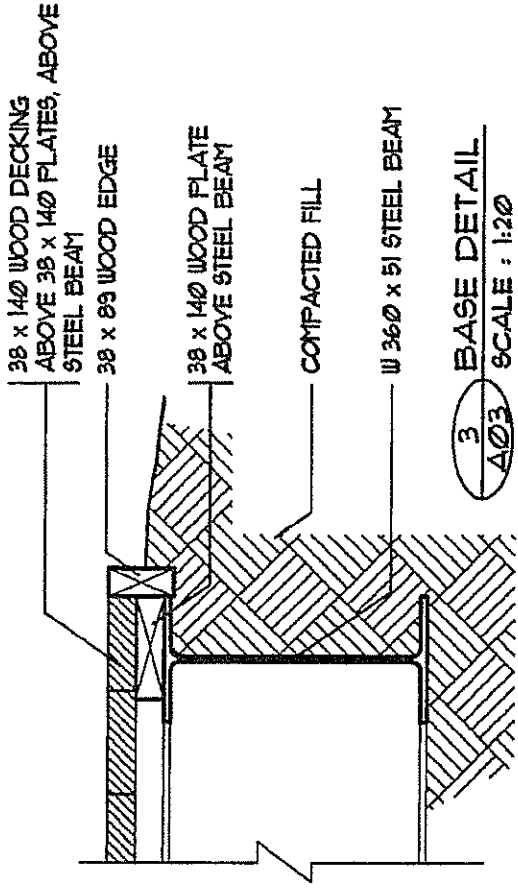
38 x 140 WOOD DECKING
 ABOVE 38 x 140 PLATES, ABOVE
 STEEL BEAM

COMPACTED FILL
 W 360 x 51 STEEL BEAM

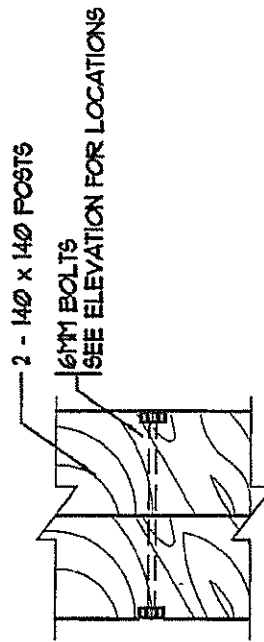


1 FRONT ELEVATION
 A02 SCALE : 1:50

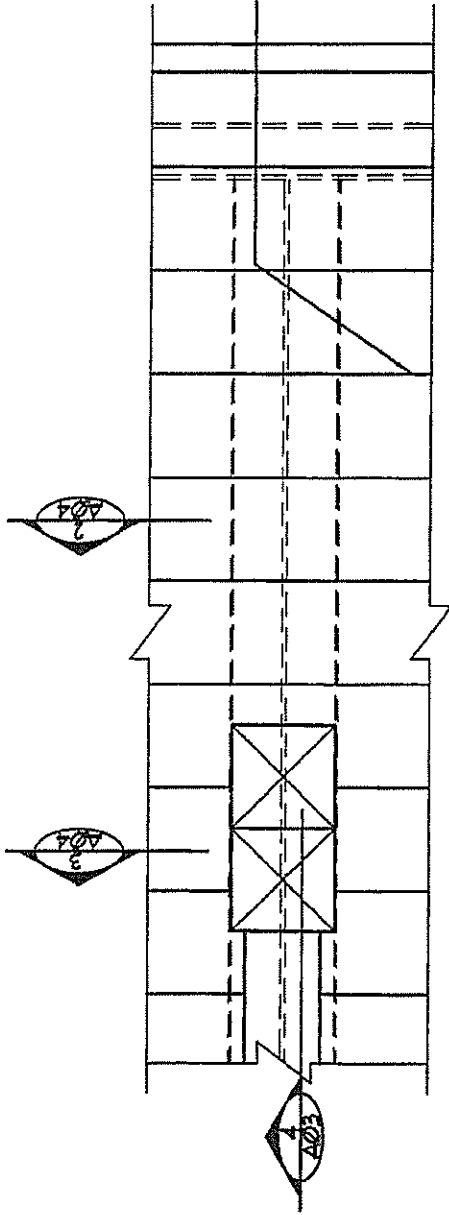
2 SIDE ELEVATION
 A02 SCALE : 1:50



1 WOOD POSTS & H.S.S. CONNECTION
A03 SCALE : 1:20

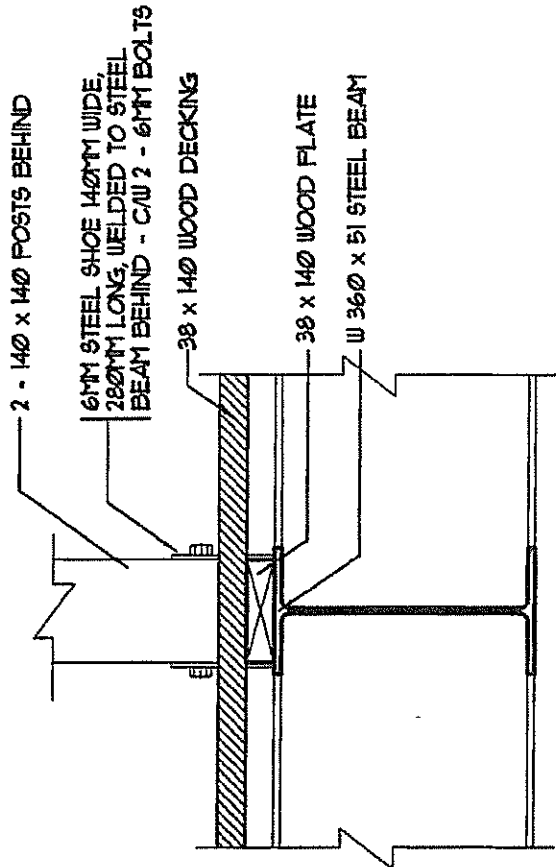


2 WOOD POSTS CONNECTION
A03 SCALE : 1:20

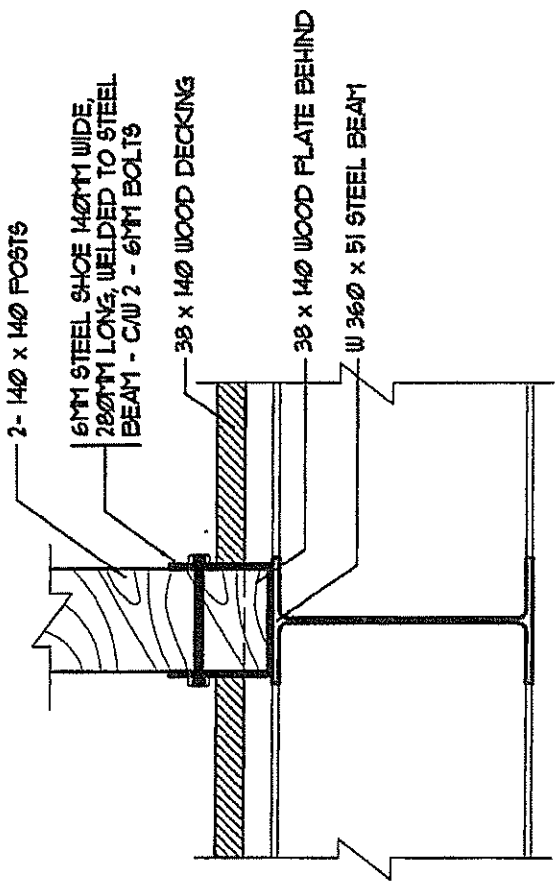


38 x 140 WOOD DECKING
 ABOVE 38 x 140 FLATES, ABOVE
 W 360 x 51 STEEL BEAM

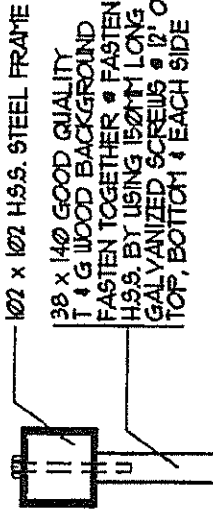
1 WOOD POST DETAIL
 A04 SCALE : 1:20



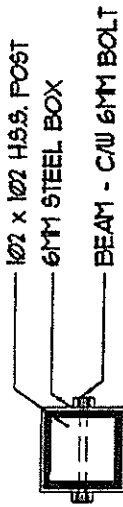
2 WOOD POST AT BASE
 A04 SCALE : 1:20



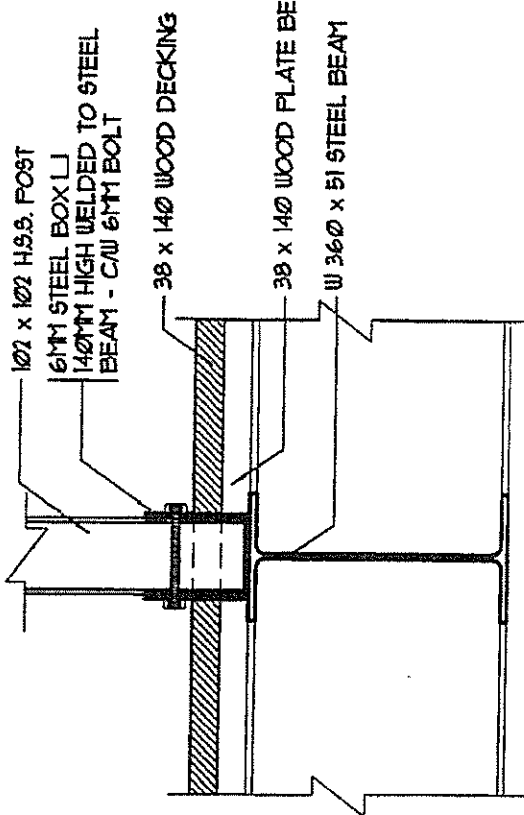
3 WOOD POST AT BASE
 A04 SCALE : 1:20



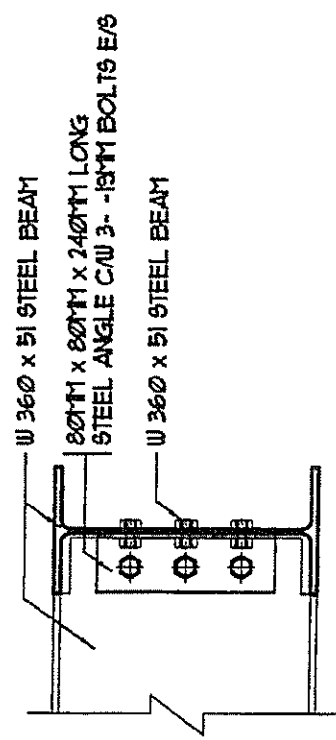
1 WIRE & H.S.S. CONNECTION
 A05 SCALE : 1:20



2 H.S.S. AT BASE
 A05 SCALE : 1:20



3 STEEL BEAMS CONNECTION
 A05 SCALE : 1:20



4 PICTURE FRAME DETAIL
 A05 SCALE : 1:20